



MODEL

Atlanta Bay

Atlanta Clean Air HW

## INSTALLATION SPECIFICATION SHEET

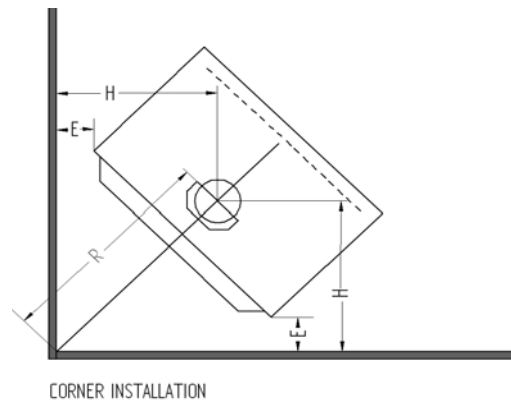
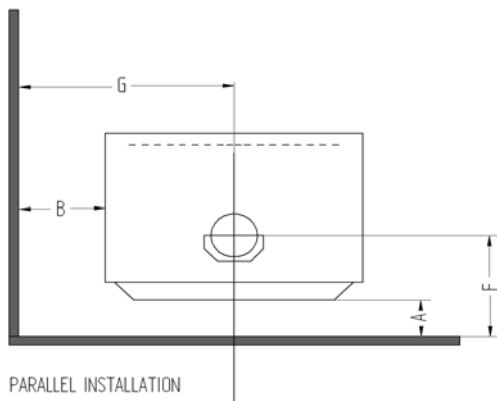
These instructions must be used in conjunction with the 'General Installation Instructions' for MASPORT wood fires.

### CLEARANCE REQUIREMENTS

This fire has been tested to the Australian/New Zealand Standard AS/NZS 2918:2001 and all installations must be in accordance with the minimum clearances to combustibles indicated in these instructions.

The minimum clearances to combustibles may be reduced if the combustible walls are shielded with an approved non-combustible material. Details of suitable materials and appropriate clearance reduction factors are present in Section 3 of AS/NZS 2918:2001.

### POSITIONING YOUR FREE-STANDING WOODFIRE



### NEW ZEALAND

MINIMUM DISTANCES TO HEAT SENSITIVE WALLS (mm)

MODEL	FLUE HEAT SHIELD	A	B	E	F	G	H	R§
Atlanta Bay	LOGAIRE DOUBLE SKIN S/S POLISHED	160	250	50	294	570	371	525
	WITHOUT FLUE SHIELD	400	280	200	534	600	521	737

### AUSTRALIA

MINIMUM DISTANCES TO HEAT SENSITIVE WALLS (mm)

MODEL	FLUE HEAT SHIELD	A	B	E	F	G	H	R§
Atlanta Clean Air HW	FLOMET UNIVERSAL FLUE SYSTEM	200	250	80	334	570	401	567
	AHD SPECIAL INSULATED FLUE KIT	150	300	100	284	620	421	595

§ Valid only when the room walls are at 90° to each other.

‡ Note: Clearances are for fire hazard only. For durability of finishes or surfaces you should contact the relevant manufacturer for their specification. Glen Dimplex Australasia Ltd accepts no responsibility for the deterioration of surfaces or finishes.

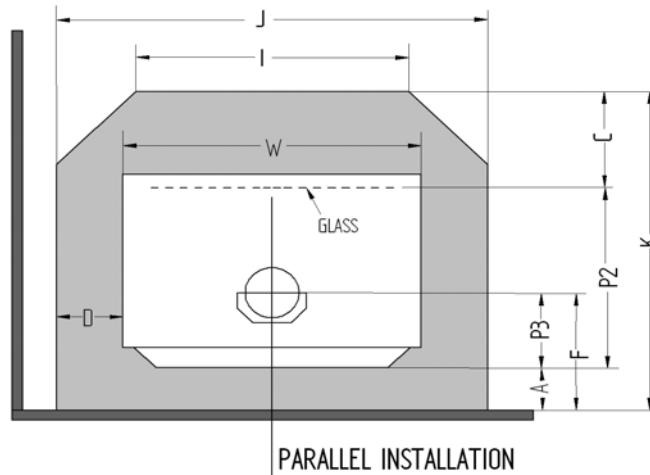
See " INSTALLING THE FLUE " for recommended Australian flue systems.

PRT. NO. ATNM0738

DATE: 4/04/2011

# FLOOR PROTECTOR (Hearth) REQUIREMENTS PARALLEL INSTALLATION

MINIMUM FLOOR PROTECTOR DIMENSIONS IN mm



# DIMENSIONS IN THE TABLE ARE VALID ONLY WHEN THE FIRE IS EXACTLEY AT ITS MINIMUM ALLOWABLE WALL CLEARANCE.

## NEW ZEALAND

MODEL	Flue Shield	Floor Protector height	A#	C#	D	F	I	J	K#	P2	P3	W	Floor Protector Type Ø
Atlanta Bay	*		160	300	130	294	600	900	1062	602	134	640	ASH
	**		400	300	130	534	600	900	1302	602	134	640	ASH

\* Logaire double skin S/S polished 1200 mm shield

\*\* Without flue shield

## AUSTRALIA - ALL WITH FLUE HEATSHIELD

MODEL	Flue Shield	Floor Protector height	A#	C#	D	F	I	J	K#	P2	P3	W	Floor Protector Type Ø
Atlanta	*		200	300	130	334	600	900	1102	602	134	640	ASH
Clean Air HW	**		150	300	130	284	600	900	1052	602	134	640	ASH

\* FLOMET UNIVERSAL FLUE SYSTEM

\*\* AHD SPECIAL INSULATED FLUE KIT

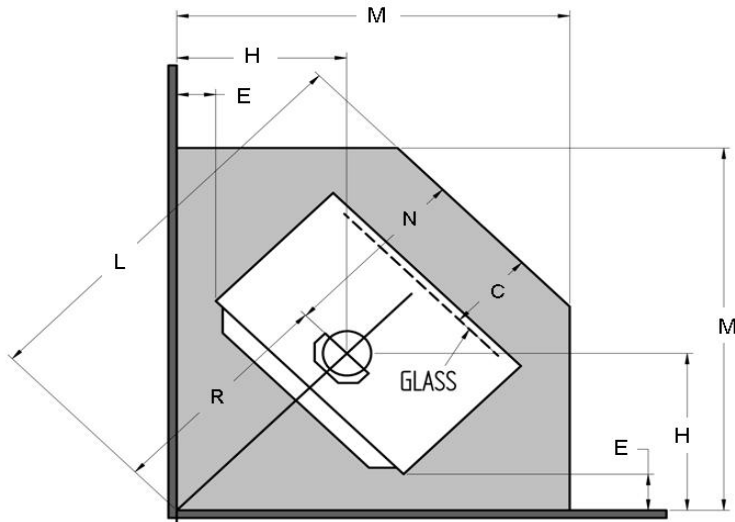
Ø for minimum constructional requirements see general installation instructions.

# Valid only when the fire is exactly at its minimum allowable wall clearance.

NOTE: Where a fan is being fitted, you may prefer to increase the 'A' dimension to 100 mm to provide easier access for servicing. If so, the amount you add to 'A' to bring it to 100 mm must also be added to the 'C' and 'S' dimensions.

# FLOOR PROTECTORS (Hearth) REQUIREMENTS CORNER INSTALLATION

MINIMUM FLOOR PROTECTOR DIMENSIONS IN mm



# DIMENSIONS IN THE TABLE ARE VALID ONLY WHEN THE FIRE IS EXACTLEY AT ITS MINIMUM ALLOWABLE WALL CLEARANCE.

## NEW ZEALAND

MODEL	Flue Shield	Floor Protector Distance above Floor	C	E	H#	L#	M#	N	R#	FLOOR PROTECTOR TYPE
Atlanta Bay	*		300	50	371	1293	1126	768	525	ASH
	**		300	200	521	1505	1276	768	737	ASH

\* Logaire double skin S/S polished 1200 mm shield

\*\* Without flue shield

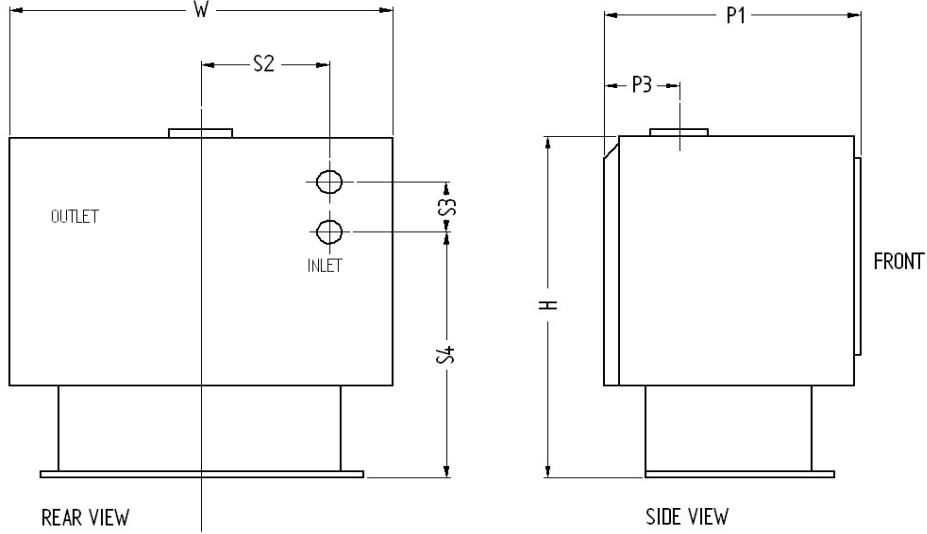
## AUSTRALIA

MODEL	Flue Shield	Floor Protector Distance above Floor	C	E	H#	L#	M#	N	R#	FLOOR PROTECTOR TYPE
Atlanta Clean Air HW	*		300	80	401	1335	1156	768	567	ASH
	**		300	100	421	1363	1176	768	595	ASH

\* FLOMET UNIVERSAL FLUE SYSTEM

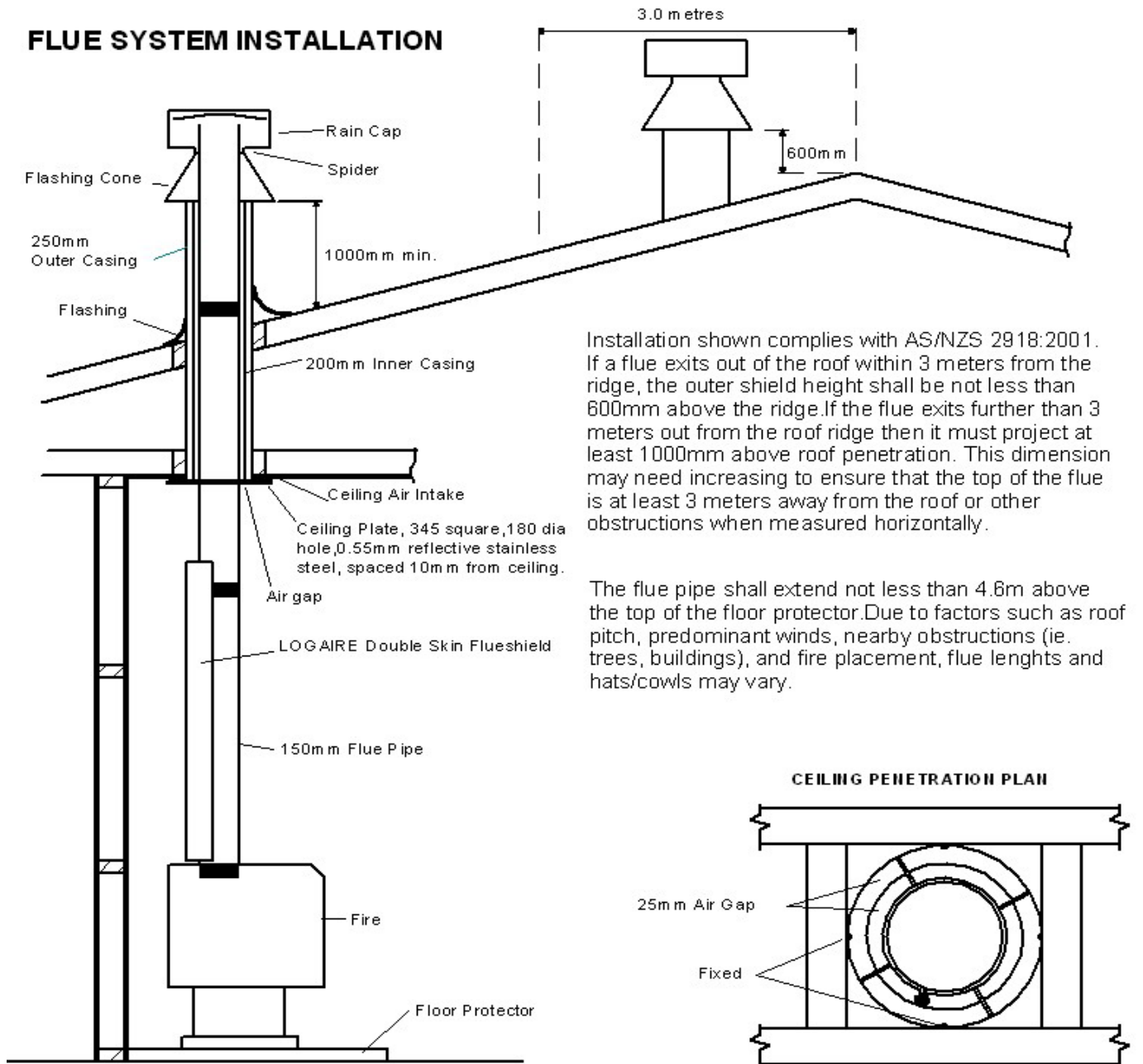
\*\* AHD SPECIAL INSULATED FLUE KIT

# FREE STANDING FIRE DIMENSIONS



MODEL	P1	P3	H	W	S1	S2	S3	S4
Atlanta Bay	608	134	754	640	-	210	164	380
Atlanta Clean Air HW	608	134	754	640	-	210	164	380

# FLUE SYSTEM INSTALLATION



Installation shown complies with AS/NZS 2918:2001. If a flue exits out of the roof within 3 meters from the ridge, the outer shield height shall be not less than 600mm above the ridge. If the flue exits further than 3 meters out from the roof ridge then it must project at least 1000mm above roof penetration. This dimension may need increasing to ensure that the top of the flue is at least 3 meters away from the roof or other obstructions when measured horizontally.

The flue pipe shall extend not less than 4.6m above the top of the floor protector. Due to factors such as roof pitch, predominant winds, nearby obstructions (ie. trees, buildings), and fire placement, flue lengths and hats/cowls may vary.

**THIS DIAGRAM IS VALID FOR INSTALLATIONS IN NZ  
FOR INSTALLATIONS IN AU PLEASE REFER TO SPECIFIC FLUE INSTALLATION MANUALS.**